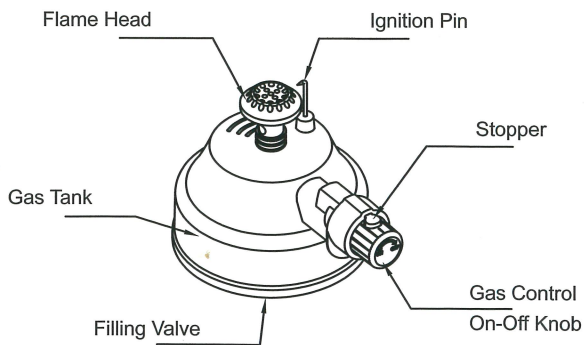


OPERATION INSTRUCTION

RK4601 MICRO BURNER WITH STOPPER FEATURE



INTRODUCTION MANUAL

IMPORTANT: Read these instructions for use carefully so as to familiarize yourself with the appliance before connecting it to its gas container. Keep these instructions for future reference.

- a** This Burner is equipped with a positive Stopper mechanism to ensure a safe turn-off.
- b** The unit does not contain any butane gas when purchased. Please follow below to make it operational.
- c** Use only refined butane gas from the dispenser for refillable cigarette lighter.
- d** It may be hazardous to attempt to fill with other type of gas.
- e** Nominal rate: 56 g/h and 0.75 kW.
- f** Use only in a well ventilated area.

OPTION

- Burner Stand.
- Holder for gas refilling.

GAS FILLING AND REFILLING

- 1.1** Ensure the Switch is turned to the "OFF" position before refilling.
- 1.2** Insert the container nozzle vertically down into the filling valve. For best results, with pumping action several times. (Please see **figure 1**)
- 1.3** When the gas starts to overflow, remove container nozzle from filling valve to stop the filling operation. It means the unit is full of gas. Complete refilling takes approximately 40 seconds.
- 1.4** If gas still escapes from filling valve after the refilling is completed, insert the container nozzle into the filling valve again. Move the nozzle slightly up and down until the leakage has been stopped, remove from the valve.

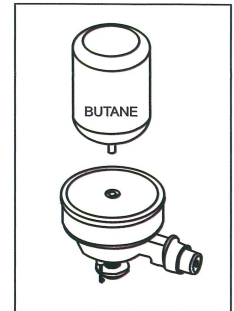


figure 1

IGNITION

After refilling, please allow a few minutes for the fuel to stabilize in the fuel tank and please do not ignite the flame until no liquid form gas is around the refilling valve. (Please see **figure 2**)

- 2.1** Please always place the burner on an even, non-slip surface before ignition.
- 2.2** Press down the Stopper and turn the Gas Control/On-Off Knob to the left (counterclockwise) to turn on the gas.
- 2.3** Push in the Gas Control/On-Off Knob to ignite the flame.

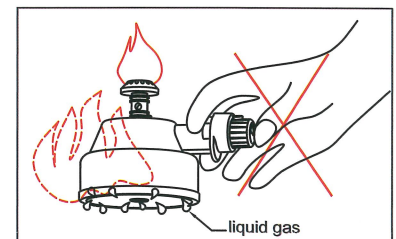


figure 2

FLAME ADJUSTMENT

After the ignition, please follow the flame marks on the clear label to adjust the flame at the minimum, middle and maximum setting. (Please see **figure 3**)



figure 3

SHUT OFF

- a** Turn the Gas Control/On-Off Knob to the right - " OFF " position until hearing a " CLICK " sound to ensure a safe turn-off.
- b** Make sure that the flame is completely off before storing.

CAUTION

- EXTREMELY FLAMMABLE CONTENTS UNDER PRESSURE.
- CONTAINS FLAMMABLE GAS UNDER PRESSURE.
- DO NOT USE NEAR SPARK OR OPEN FLAME.
- DO NOT STORE AT TEMPERATURES ABOVE 50°C or 120°F.
- DO NOT TRY TO DISASSEMBLE OR REPAIR THE UNIT.
- DO NOT TOUCH THE FLAME HEAD WHEN IT IS HOT.
- DO NOT IMMERSE IN WATER.
- KEEP OUT OF THE REACH OF CHILDREN.

SAFE INFORMATION

- Do not use an appliance which is leaking, damaged or which does not operate properly.
- Use this appliance in a well ventilated location in accordance with national requirements for the supply of combustion air and to avoid the dangerous building up of unburnt gases for appliances not fitted with a flame supervision device.
- The appliance must be operated on a horizontal surface.
- The appliance shall be used away from flammable materials. Keep 300 mm as minimum distances from adjacent surfaces.
- The gas containers shall be refilled in outside or in a well ventilated area. Pay attention to sources of ignition, such as naked flames, pilots, electric fires and other people.
- If there is a leak on your appliance, take it outside immediately into a well ventilated flame free location where the leak may be detected and stopped. If you wish to check for leakage on your appliance, do it outside. Do not try to detect leakage using a flame, use soapy water.
- Keep the burner head at least 30mm away from the bottom of cooker. (Please see **figure 4**)
- Do not modify the appliance.
- For problem checking or product return, please contact first the local distributor or the store where you get the product.

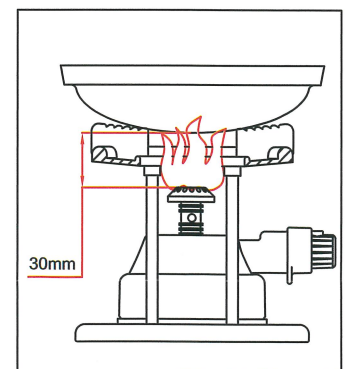


figure 4

Manufacturer:

REKROW

REKROW INDUSTRIAL INC.
No. 65, Cheng Tien Rd., Tu Cheng Dist.,
New Taipei City 236, Taiwan

4601MA03